

# SINGER

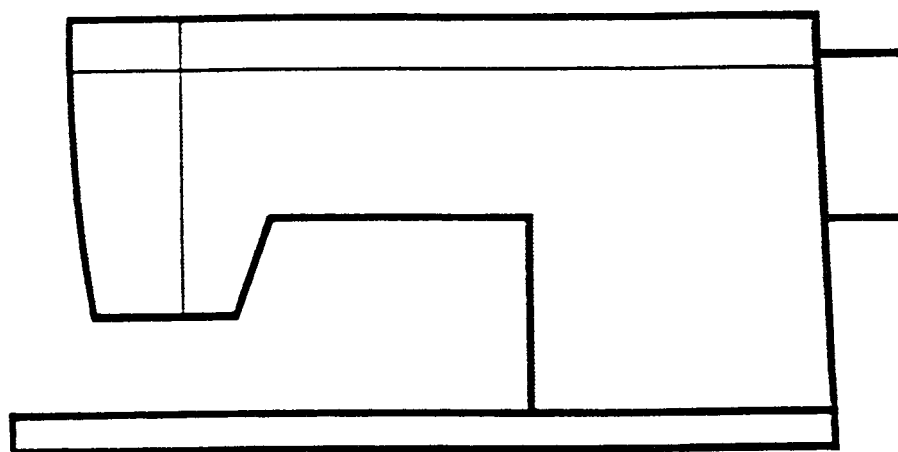
## 290C

MASTER COPY

# LIST OF PARTS

Model 290

HOUSEHOLD SEWING MACHINE



by **SINGER**\*

From the library of: Diamond Needle Corp



TABLE OF TERRITORIES

<p align="center">- A - (105/115 V. - 220/240 V.)</p> <p>Aden Algeria Angola Bahrain Bangladesh Benin (Dahomey) Burma Burundi Cambodia Camerouns Cent. Africa Empire Chad Congo (Brazzaville) Egyptian Arab Republic Ethiopia Fiji Islands Gabon Gambia Ghana Guam Guinea Guyana High Volta Hong Kong India Indonesia Iran Iraq Ivory Coast Jordan Kenya Kuwait Laos La Reunion Lebanon Liberia Libya</p>	<p>Malagasy Rep. Malawi Malaysia Mali Mauritania Mauritius Morocco Mozambique Niger Repub. Nigeria North Yemen Pakistan Rhodesia Saudi Arabia Senegal Sierra Leone Singapore South Korea South Yemen Sri Lanka Sudan Syria Taiwan Tangiers Tanzania Thailand Togo Tunisia Uqanda Upper Volta Vietnam Zaire (Kinshasa) Zambia</p>	<p align="center">- B - (220 V.)</p> <p>South Africa</p> <hr/> <p align="center">- C - (220 or 240 V.)</p> <p>New Zealand</p> <hr/> <p align="center">- D - (240 V.)</p> <p>Great Britain (England, Scotland, Wales). Malta</p> <hr/> <p align="center">- E - (220 V.)</p> <p>Netherlands</p> <hr/> <p align="center">- F - (220 V.)</p> <p>Austria Belgium Denmark Finland Greece Italy Switzerland W. Germany (+ 120 V.)</p> <hr/> <p align="center">- G - (120 V.) (I)</p> <p>United States</p>	<p align="center">- H - (120 V. + 220 V.)</p> <p>Argentina Bahamas Barbados Bermuda Bolivia Brazil British Honduras Canal Zone Chile Colombia Costa Rica Ecuador El Salvador French West Indies Guatemala Honduras Republic Jamaica Mexico Neth. Antilles Nicaragua Panama Paraguay Peru Philippines Puerto Rico Surinam Trinidad &amp; Tobago Venezuela Virgin Islands West Indies (Antigua, Dominica, Grenada, Montserrat, St. Christopher, Nevis, Anguilla, St. Lucia, St. Vincent, St. Kitts).</p>	<p align="center">- J - (127/220 V.)</p> <p>Belgium Bi-Volt. W. Germany Bi-Volt. - K - (240 V.)</p> <hr/> <p>Australia - L - (220 V.)</p> <hr/> <p>Norway - M - (105 V.)</p> <hr/> <p>Japan - N - (127/220 V.)</p> <hr/> <p>France Bi-Volt. Non mandatory countries Bi-Volt. - O - Canada (I)</p> <hr/> <p align="center">- P - (220 V.)</p> <p>Albania France Gibraltar Iceland Israel Yugoslavia Luxembourg Monaco Portugal Spain Turkey</p> <hr/> <p align="center">- Q - (240 V.)</p> <p>Cyprus - R - (220 V.)</p> <hr/> <p>Sweden - S - (220 V.)</p> <p>Eire</p>
---	--	--	--	---

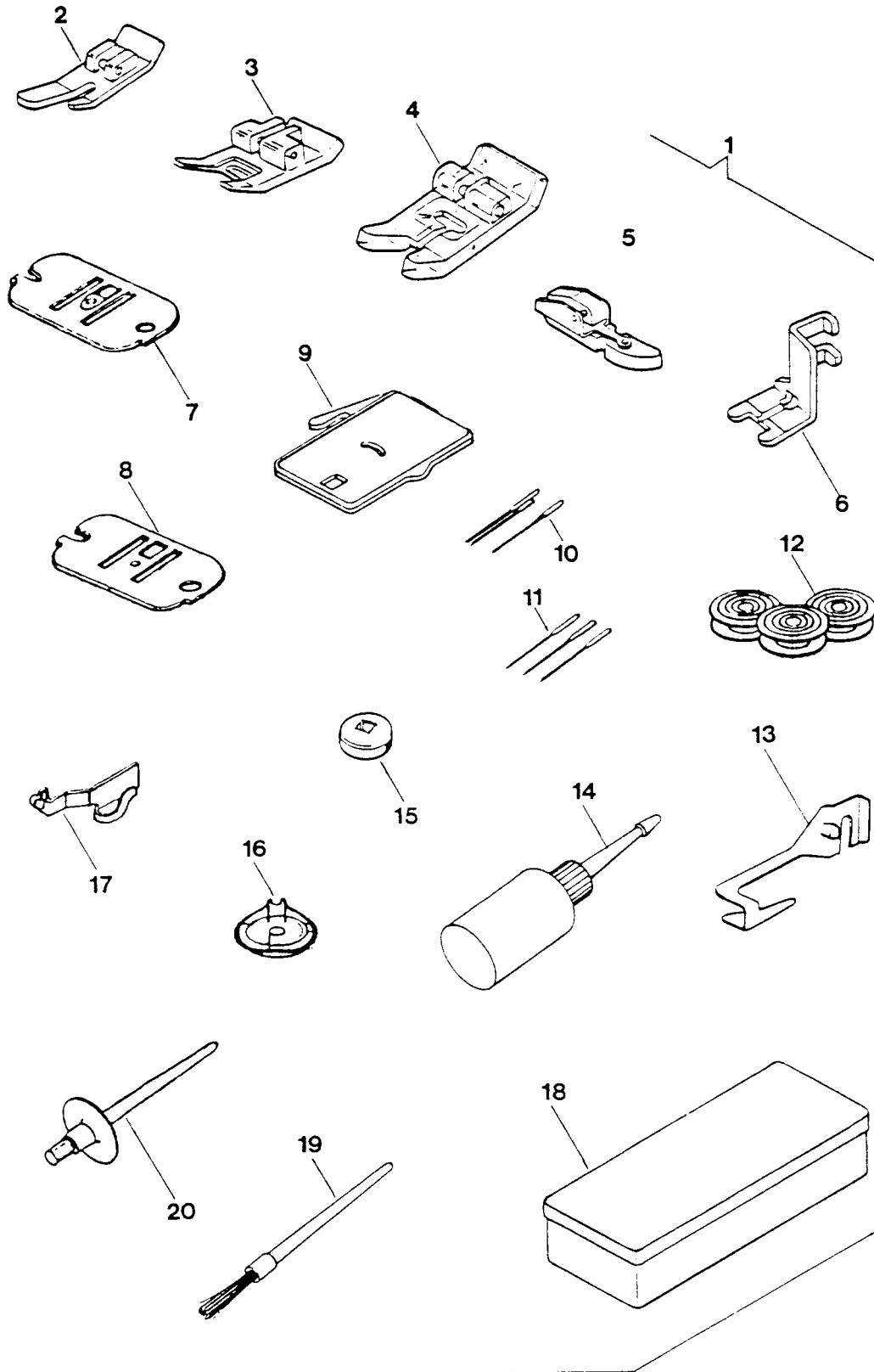
From the library of: Diamond Needle Corp

Copyright © 1982 THE SINGER COMPANY  
All Rights Reserved Throughout the World  
\*A Trademark of THE SINGER COMPANY

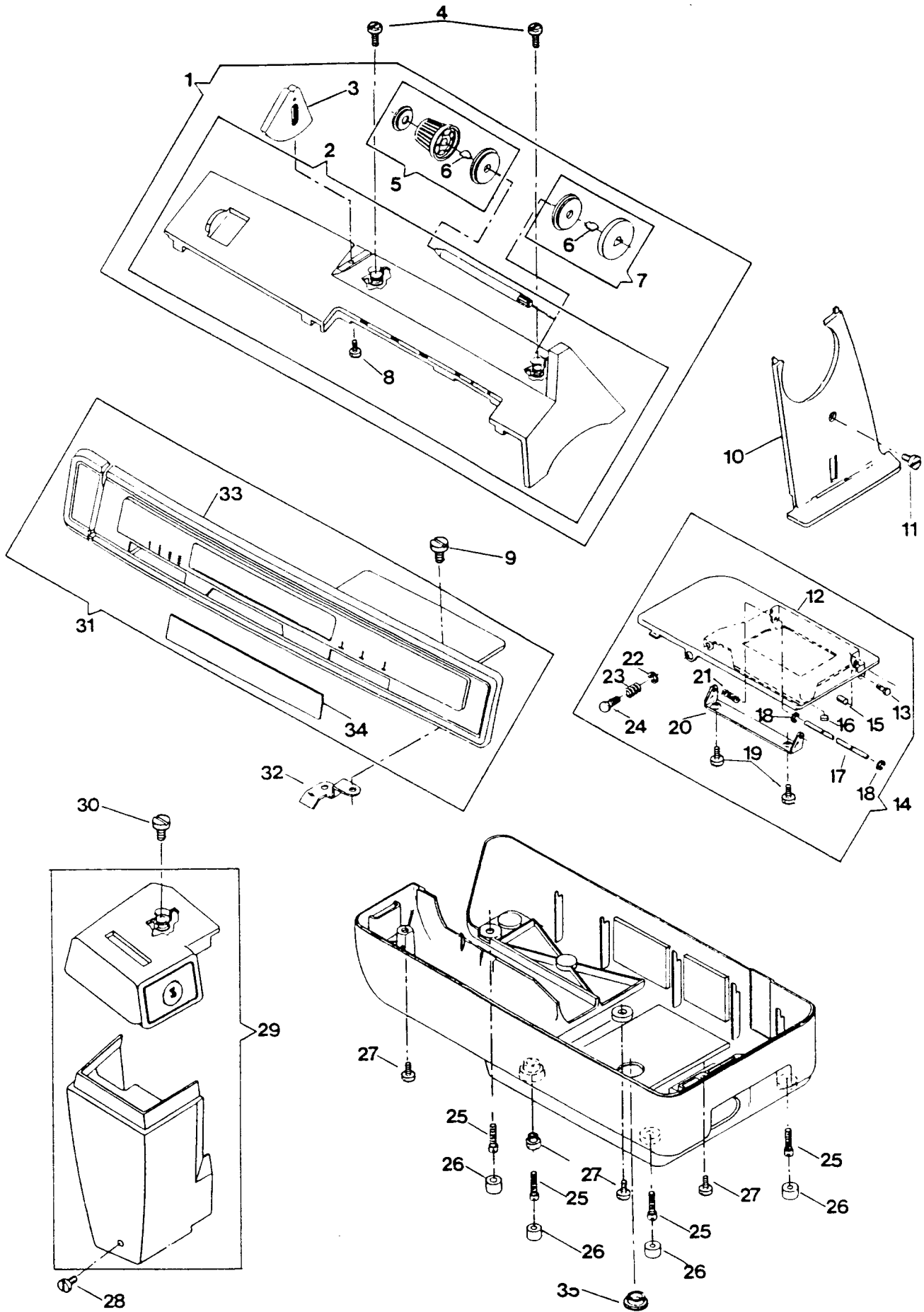
INDEX

<i>PAGE</i>	<i>DESCRIPTIONS</i>
1 , 2	<i>ATTACHMENT SET</i>
3 , 4	<i>COVERS AND ADD ONS</i>
5 , 6	<i>ROTATING HOOK</i>
7 , 8	<i>TENSION ASSEMBLY</i>
9 , 10	<i>ARMSHAFT DRIVE AND HANDWHEEL</i>
11 , 12	<i>NEEDLE BAR AND THREAD TAKE-UP</i>
13 , 14	<i>PRESSER BAR AND PRESSURE REGULATOR</i>
15 - 18	<i>ALPHA FEED</i>
19 , 20	<i>BIGHT AMPLITUDE AND NEEDLE POSITION</i>
21 - 24	<i>BUTTONHOLER AND FEED REGULATOR CAM</i>
25 , 26	<i>PATTERN SELECTOR AND DISC STACK</i>
27 - 30	<i>CAM CONTROLLED FEED</i>
31 , 32	<i>ELECTRICAL EQUIPMENT</i>

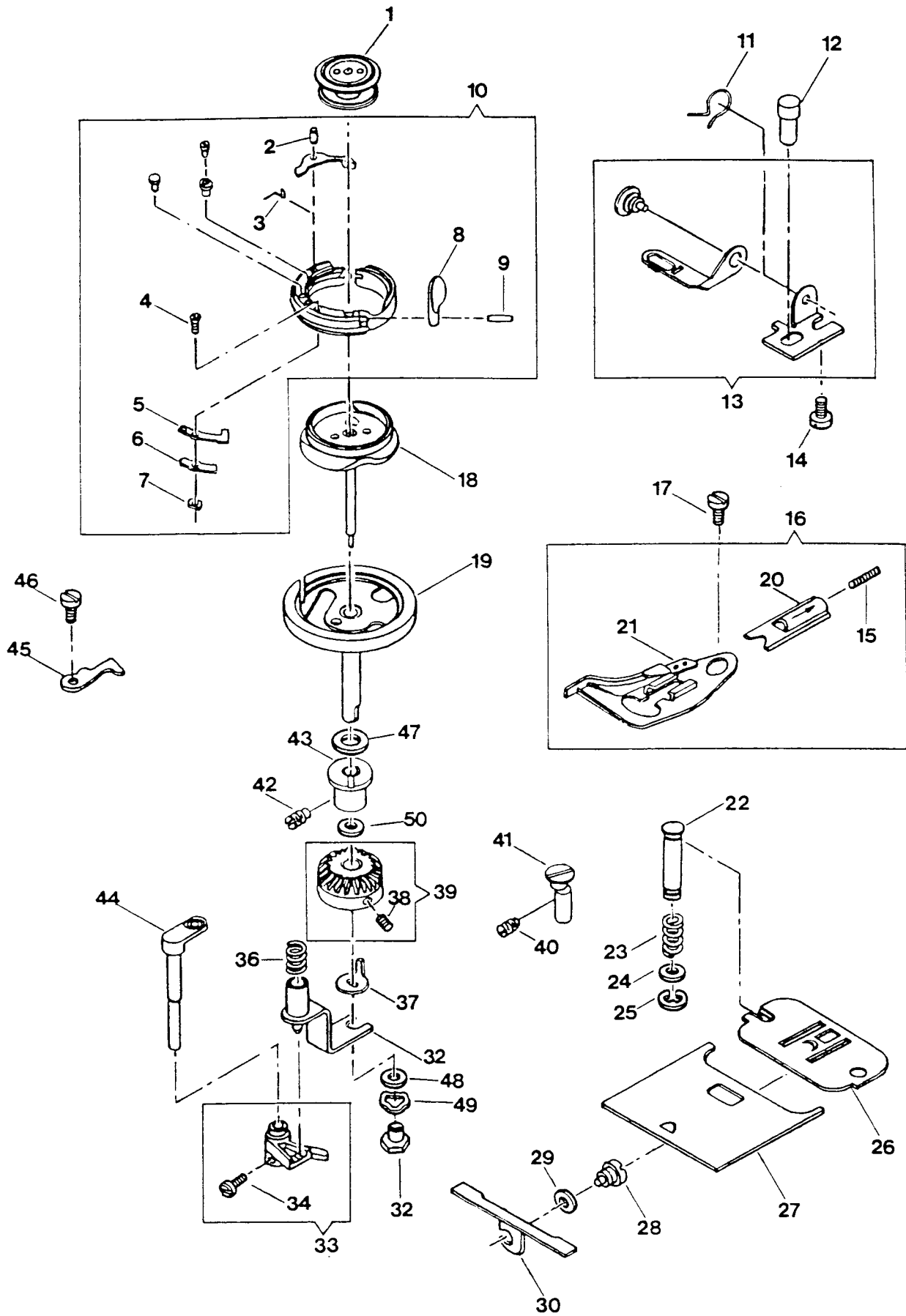
ATTACHMENT SET



# COVERS AND ADD ONS



# ROTATING HOOK



ROTATING HOOK

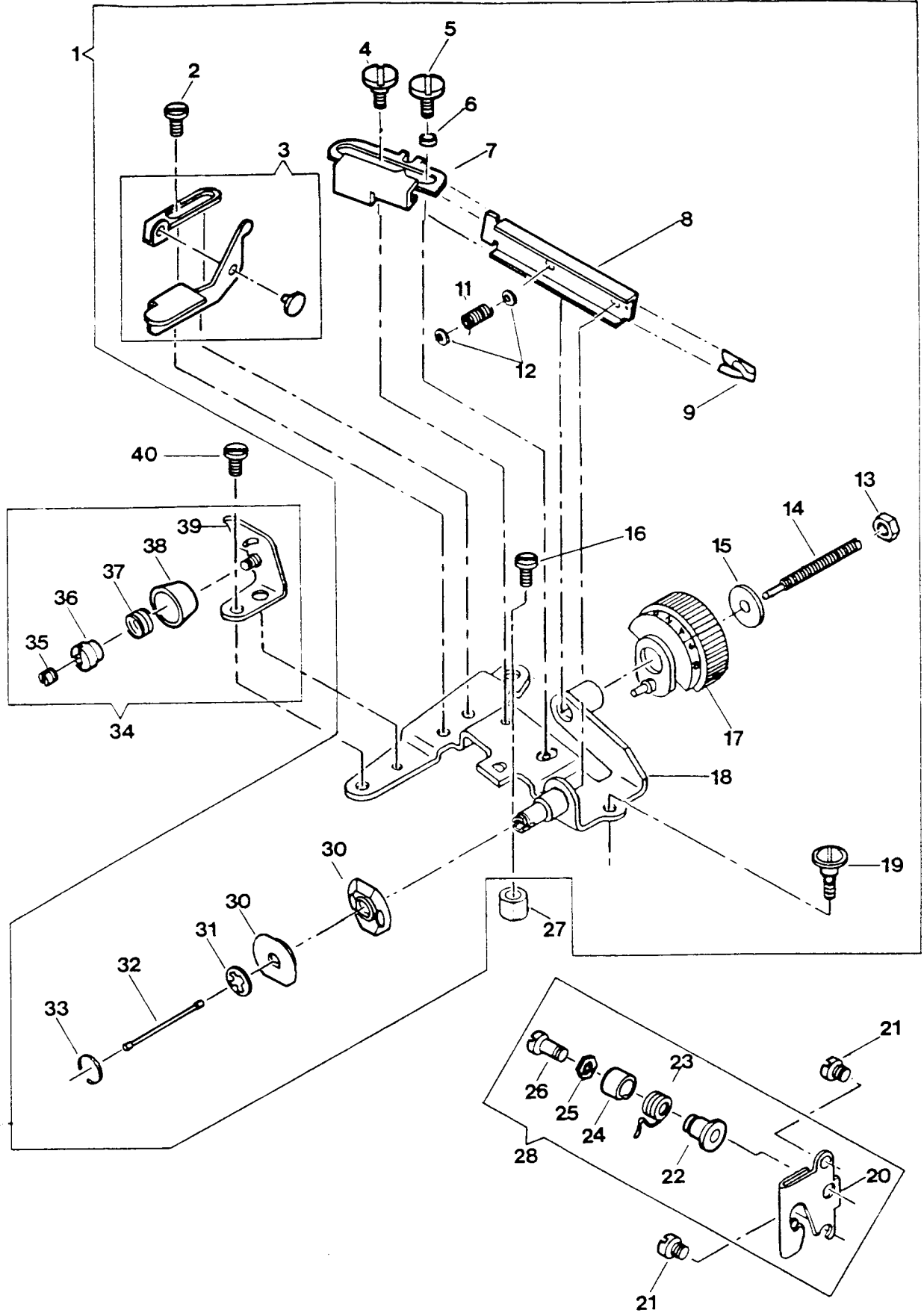
REF. NO.	PART NO.	DESCRIPTION	2	9	9
			2	0	0
			9	C	C
			0	1	2
			C	3	3
1	506417	Rotating Hook Bobbin	X	X	X
2	163003	Rotating Hook Bobbin Thread Control Lever Pin	X	X	X
3	163974	Rotating Hook Bobbin Thread Control Lever Spring	X	X	X
4	141722-830	Rotating Hook Bobbin Latch Tension Spring Screw	X	X	X
5	511288	Rotating Hook Bobbin Latch Tension Spring	X	X	X
6	511287	Rotating Hook Bobbin Latch Tension Compensating Spring	X	X	X
7	514603	Rotating Hook Bobbin Latch Tension Spring Screw Nut	X	X	X
8	163121-002	Rotating Hook Bobbin Latch	X	X	X
9	163140	Rotating Hook Bobbin Latch Pin	X	X	X
10	153143	Rotating Hook Bobbin Case	X	X	X
11	445078	Thread Pull-off Spring	X	X	X
12	445719	Throat Plate Position Pin & Thread Pull-off Bracket Stud	X	X	X
13	445771	Thread Pull-off	X	X	X
14	141920-452	Thread Pull-off Mounting Bracket Screw	X	X	X
15	408450	Rotating Hook Bobbin Case Cushion Spring Bracket Lock Slide	X	X	X
		Spring			
16	408453	Rotating Hook Bobbin Case Cushion Spring Bracket Complete	X	X	X
17	544117	Rotating Hook Bobbin Case Cushion Spring Bracket Hinge Screw	X	X	X
18	445782	Rotating Hook Bobbin Driver	X	X	X
19	445867	Rotating Hook Body	X	X	X
20	408451	Rotating Hook Bobbin Case Cushion Spring Bracket Lock Slide	X	X	X
21	408448	Rotating Hook Bobbin Case Cushion Spring Bracket	X	X	X
22	409285	Throat Plate Clamp	X	X	X
23	444889	Throat Plate Clamp Spring	X	X	X
24	408098	Throat Plate Clamp Spring Washer	X	X	X
25	445721	Throat Plate Clamp Spring Retaining Ring	X	X	X
26	409286	Throat Plate for Zig-Zag Sewing	X	X	X
27	445847	Bed Slide with Molded Plastic Window	X	X	X
28	544080	Bed Slide Spring Screw	X	X	X
29	408098	Bed Slide Spring Screw Washer	X	X	X
30	408035	Bed Slide Spring	X	X	X
31	514747	Rotating Hook Bobbin Driver Locator Nut	X	X	X
32	445084	Rotating Hook Bobbin Winder Lifting Bracket	X	X	X
33	163788-001	Rotating Hook Bobbin Winder Actuating Lever Shaft Cam	X	X	X
34	141913-451	Rotating Hook Bobbin Winder Actuating Lever Shaft Cam	X	X	X
		Set Screw			
36	511175	Rotating Hook Bobbin Winder Actuating Lever Shaft Cam	X	X	X
		Follower Spring			
37	163247	Rotating Hook Bobbin Driver Locator	X	X	X
38	544207-002	Rotating Hook Spirol Gear Set Screw	X	X	X
39	408907	Rotating Hook Spirol Gear	X	X	X
40	544118	Rotating Hook Bobbin Case Cushion Spring Bracket Stud (ecc.)	X	X	X
		Set Screw			
41	408449	Rotating Hook Bobbin Case Cushion Spring Bracket Stud (ecc.)	X	X	X
42	549366	Rotating Hook Flanged Bushing (eccentric) Set Screw	X	X	X
43	445897	Rotating Hook Flanged Bushing (eccentric)	X	X	X
44	445827-451	Rotating Hook Bobbin Winder Actuating Lever Shaft with Lever	X	X	X
45	153022	Rotating Hook Bobbin Case Position Finger	X	X	X
46	354440-451	Rotating Hook Bobbin Case Position Finger Screw	X	X	X
47	506164	Damping Washer	X	X	X
48	422522	Rotating Hook Bobbin Driver Locator Nut Washer	X	X	X
49	422523	Rotating Hook Bobbin Driver Locator Nut Spring Washer	X	X	X
50	422400	Rotating hook Bevel Gear Thrust Washer	X	X	X

From the library of: Diamond Needle Corp

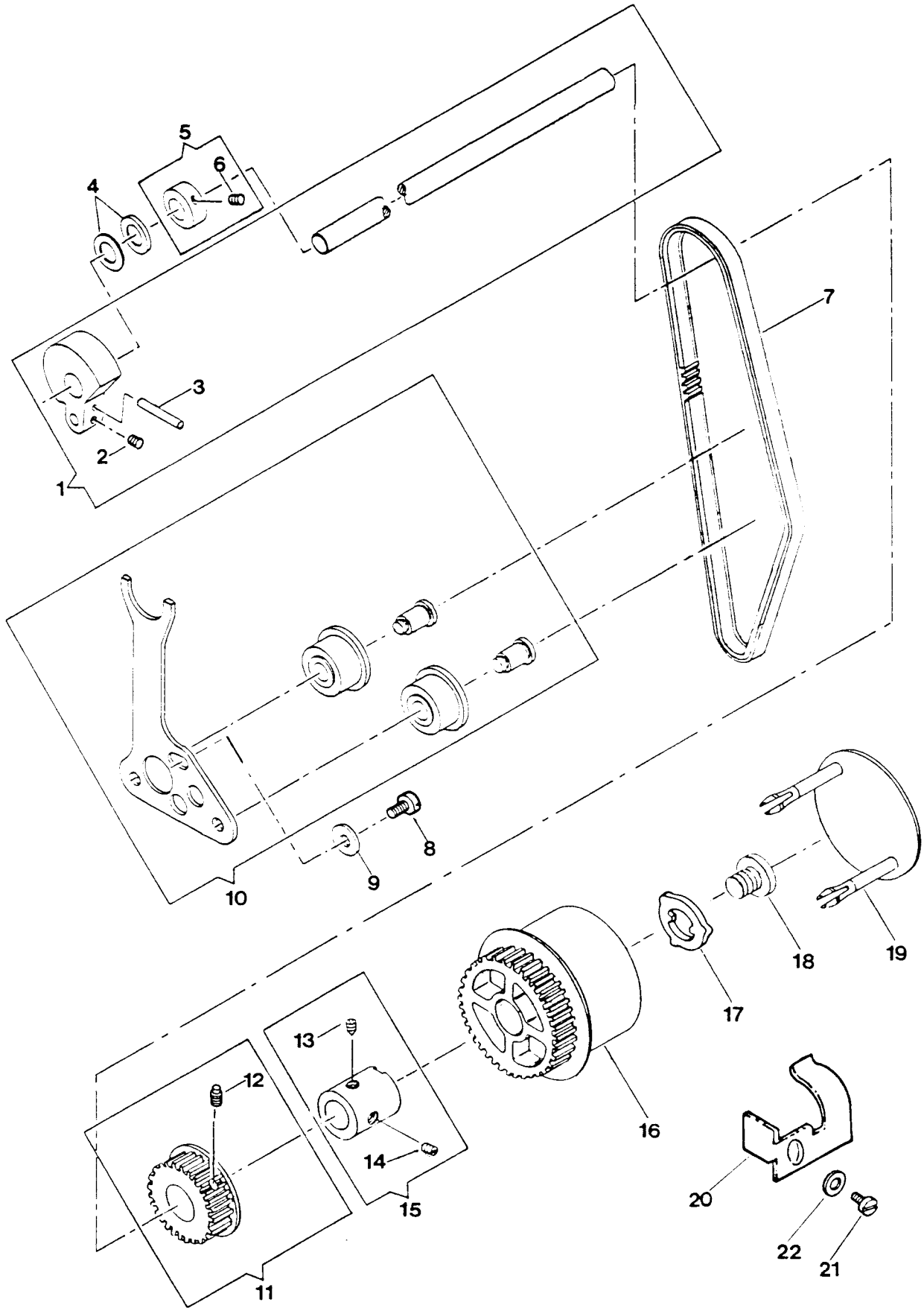




# TENSION ASSEMBLY



# ARMSHAFT DRIVE AND HANDWHEEL



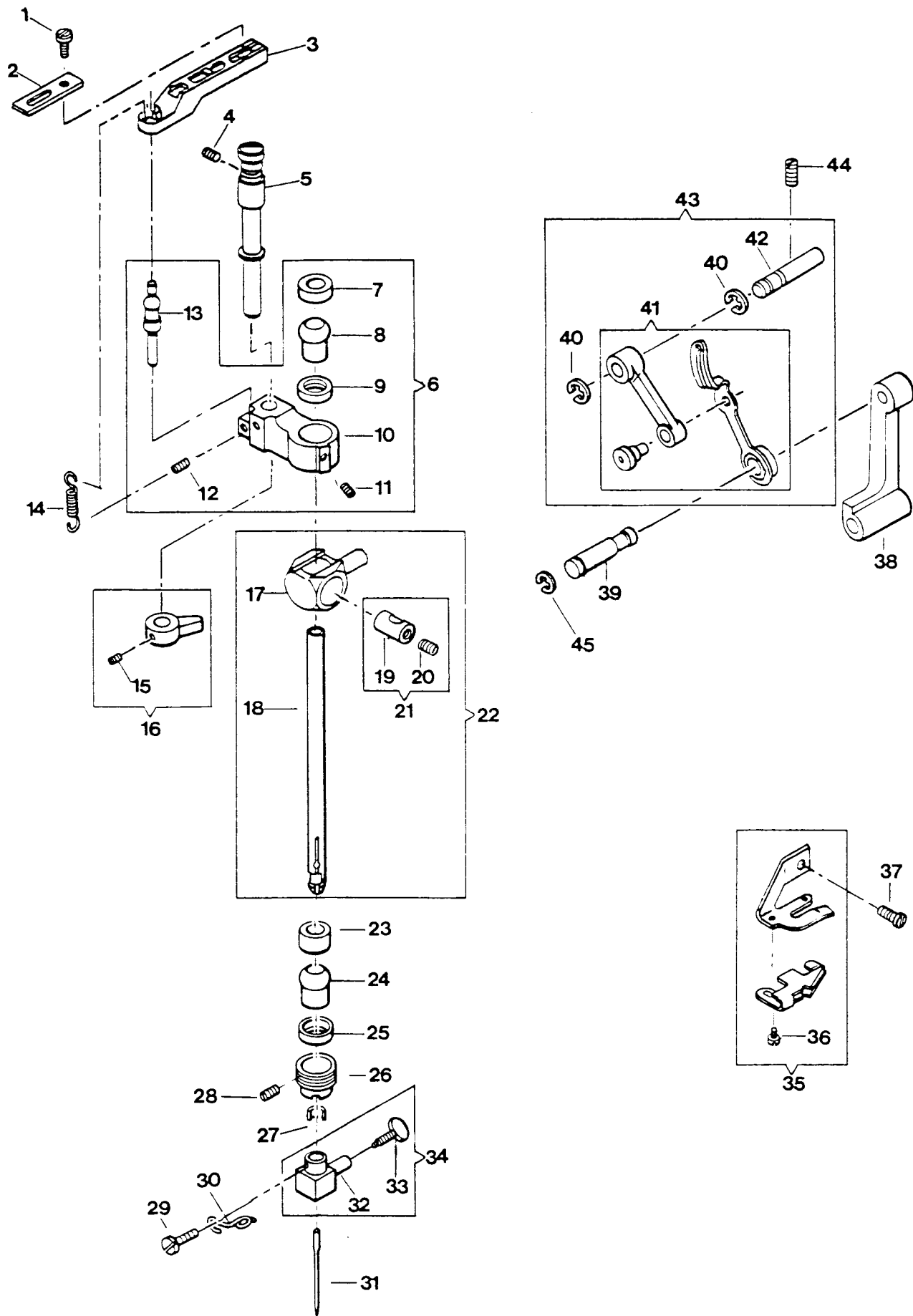


NEEDLE BAR-THREAD TAKE-UP

REF. NO.	PART NO.	DESCRIPTION			
				2	2
				9	9
				2	0
				9	C
				0	1
				C	3
1	141808-452	Needle Bar Driving Arm Ball Joint Screw	X	X	X
2	445792	Needle Bar Driving Arm Ball Joint Plate	X	X	X
3	445791	Needle Bar Driving Arm Ball Joint (plastic)	X	X	X
4	354813-451	Needle Bar Vibrating Bracket Hinge Pin (eccentric) Set Screw	X	X	X
5	445690	Needle Bar Vibrating Bracket Hinge Pin (eccentric)	X	X	X
6	445705	Needle Bar Vibrating Bracket Complete	X	X	X
7	37928	Needle Bar Ball Bushing (upper) Adjusting Collar	X	X	X
8	37927	Needle Bar Ball Bushing (upper)	X	X	X
9	507379	Needle Bar Ball Bushing (upper) Socket	X	X	X
10	37944-001	Needle Bar Vibrating Bracket (37944 Machined)	X	X	X
11	141803-830	Needle Bar Ball Bushing (upper) Adjusting Collar Set Screw	X	X	X
12	354769-451	Needle Bar Vibrating Bracket Ball Joint Screw	X	X	X
13	445691	Needle Bar Vibrating Bracket Ball Joint	X	X	X
14	445692	Needle Bar Vibrating Bracket Ball Joint Spring	X	X	X
15	354592-451	Needle Bar Vibrating Bracket Hinge Pin (eccentric) Collar Screw	X	X	X
16	445406	Needle Bar Vibrating Bracket Hinge Pin (eccentric) Collar Complete	X	X	X
17	37930	Needle Bar Connecting Stud (Alternate to 445865)	X	X	X
17	445865	Needle Bar Connecting Stud	X	X	X
18	445793	Needle Bar	X	X	X
19	37931	Needle Bar Connecting Stud Hinge Pin	X	X	X
20	141916-833	Needle Bar Clamping Screw	X	X	X
20	354387-451	Needle Bar Clamping Screw (alternate to No. 141916-833)	X	X	X
21	37932	Needle Bar Connecting Stud Hinge Pin Complete	X	X	X
22	445794	Needle Bar Complete	X	X	X
23	44450	Needle Bar Ball Bushing (lower) Socket (upper)	X	X	X
24	37927	Needle Bar Ball Bushing (lower)	X	X	X
25	507379	Needle Bar Ball Bushing (lower) Socket (lower)	X	X	X
26	44473	Needle Bar Ball Bushing (lower) Adjusting Screw	X	X	X
27	37943	Needle Bar Gib	X	X	X
28	141803-830	Needle Bar Ball Bushing (lower) Adjusting Screw Set Screw	X	X	X
29	141808-451	Needle Clamp Body, Needle Clamp Thread Guide & Needle Stop Screw	X	X	X
30	445756	Needle Clamp Thread Guide	X	X	X
31	N2020	Needle (Size No. 14)	X	X	X
32	445142	Needle Clamp Body	X	X	X
33	141942-825	Needle Thumb Screw	X	X	X
34	445143	Needle Clamp Complete	X	X	X
35	445694	Thread Snubber Complete	X	X	X
36	354472-451	Thread Snubber (adjustable) Screw	X	X	X
37	141920-452	Thread Snubber Bracket Mounting Screw	X	X	X
38	445224	Needle Bar Connecting Link	X	X	X
38	44719	Needle Bar Connecting Link (alternate to No. 445224)	X	X	X
39	446260	Thread Take-up Stud	X	X	X
40	44472	Thread Take-up Lever Link Hinge Stud Retaining Ring (left & right)	X	X	X
41	445797	Thread Take-up Lever	X	X	X
42	445798	Thread Take-up Lever Complete	X	X	X
43	446798	Thread Take-up Lever Link Hinge Stud	X	X	X
44	141803-830	Thread Take-up Lever Link Hinge Stud Set Screw	X	X	X
45	445486	Thread Take up Stud Retaining Ring	X	X	X

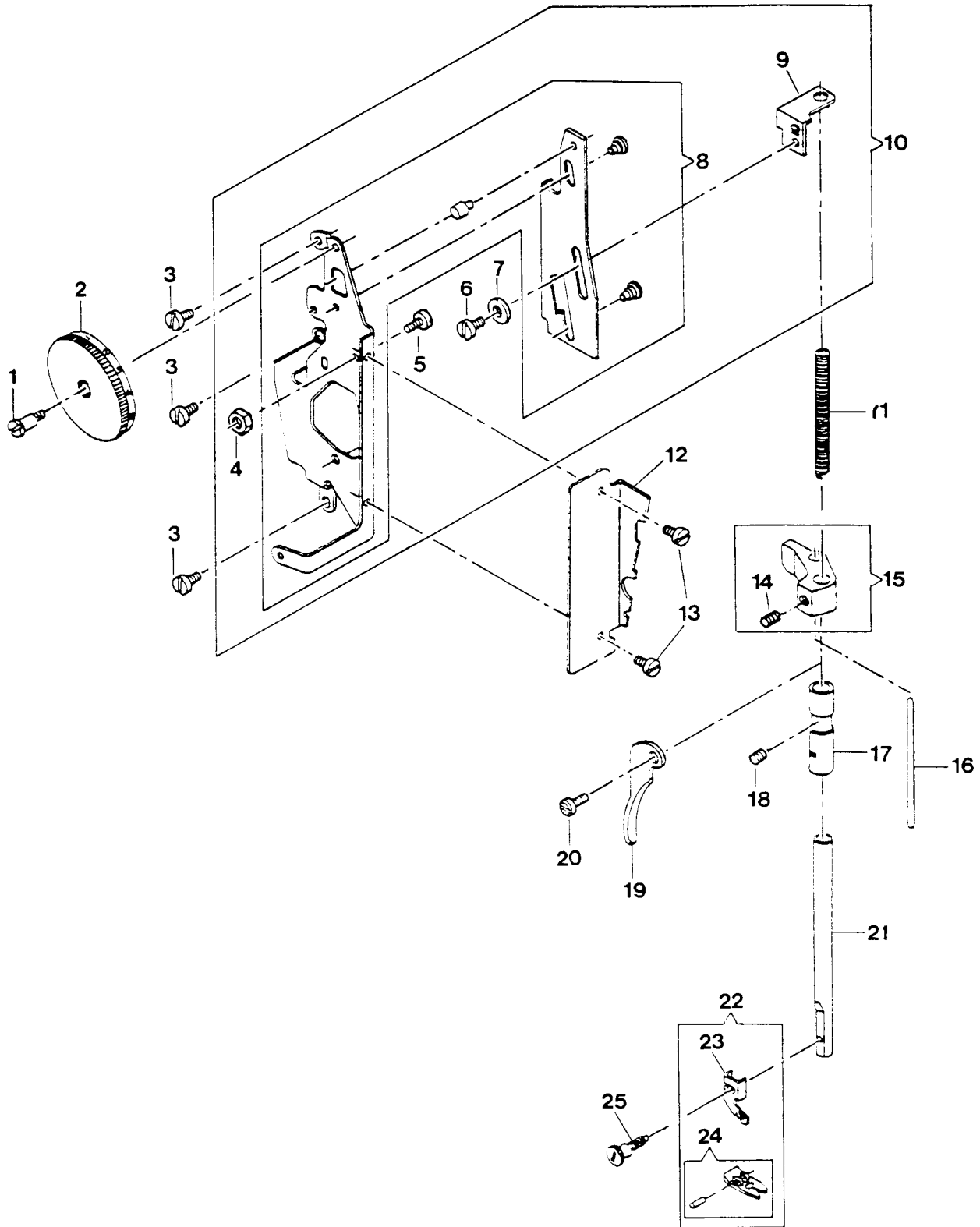
From the library of: Diamond Needle Corp

# NEEDLE BAR AND THREAD TAKE-UP



From the library of: Diamond Needle Corp

PRESSER BAR AND PRESSURE REGULATOR



From the library of: Diamond Needle Corp





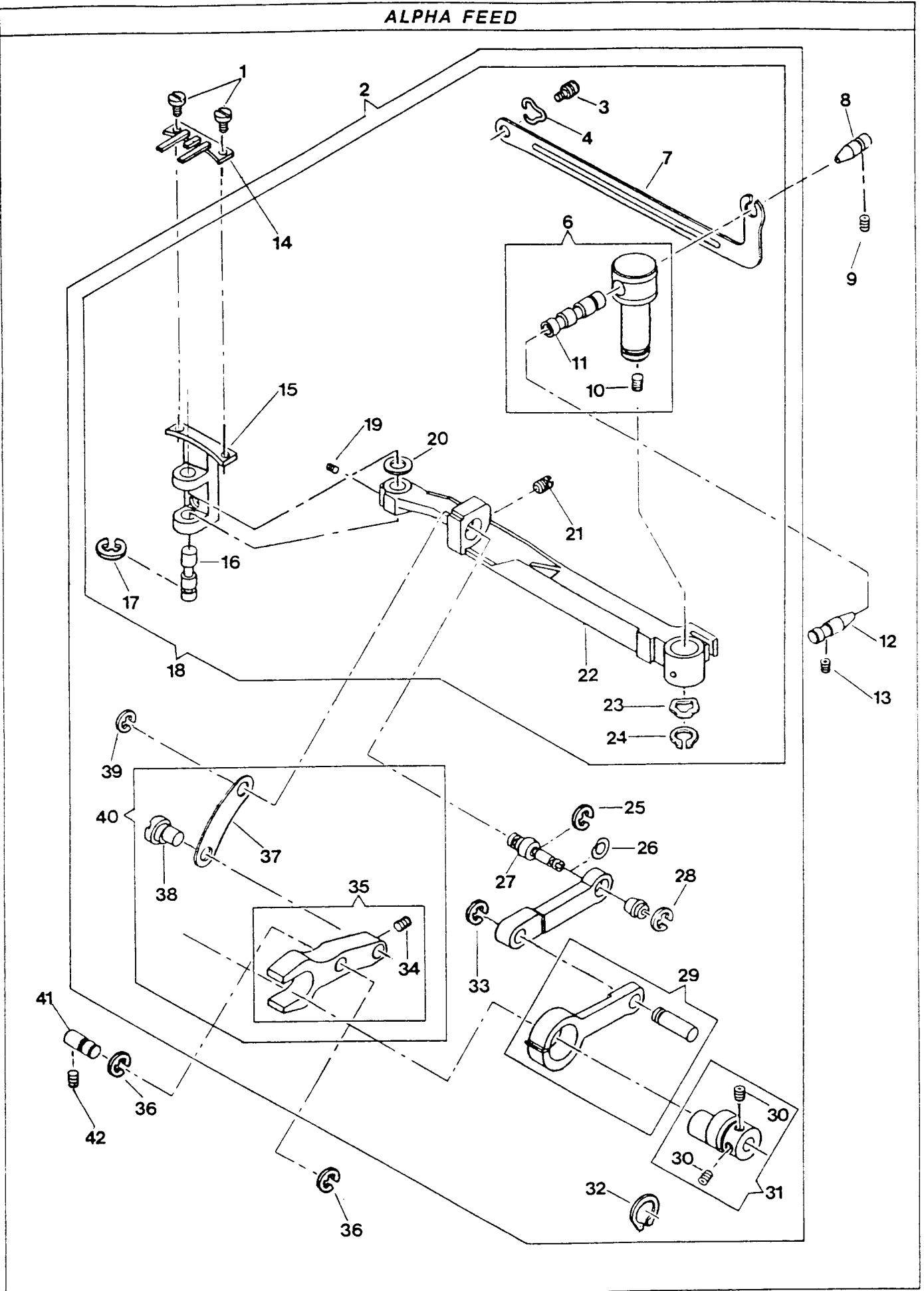


ALPHA FEED

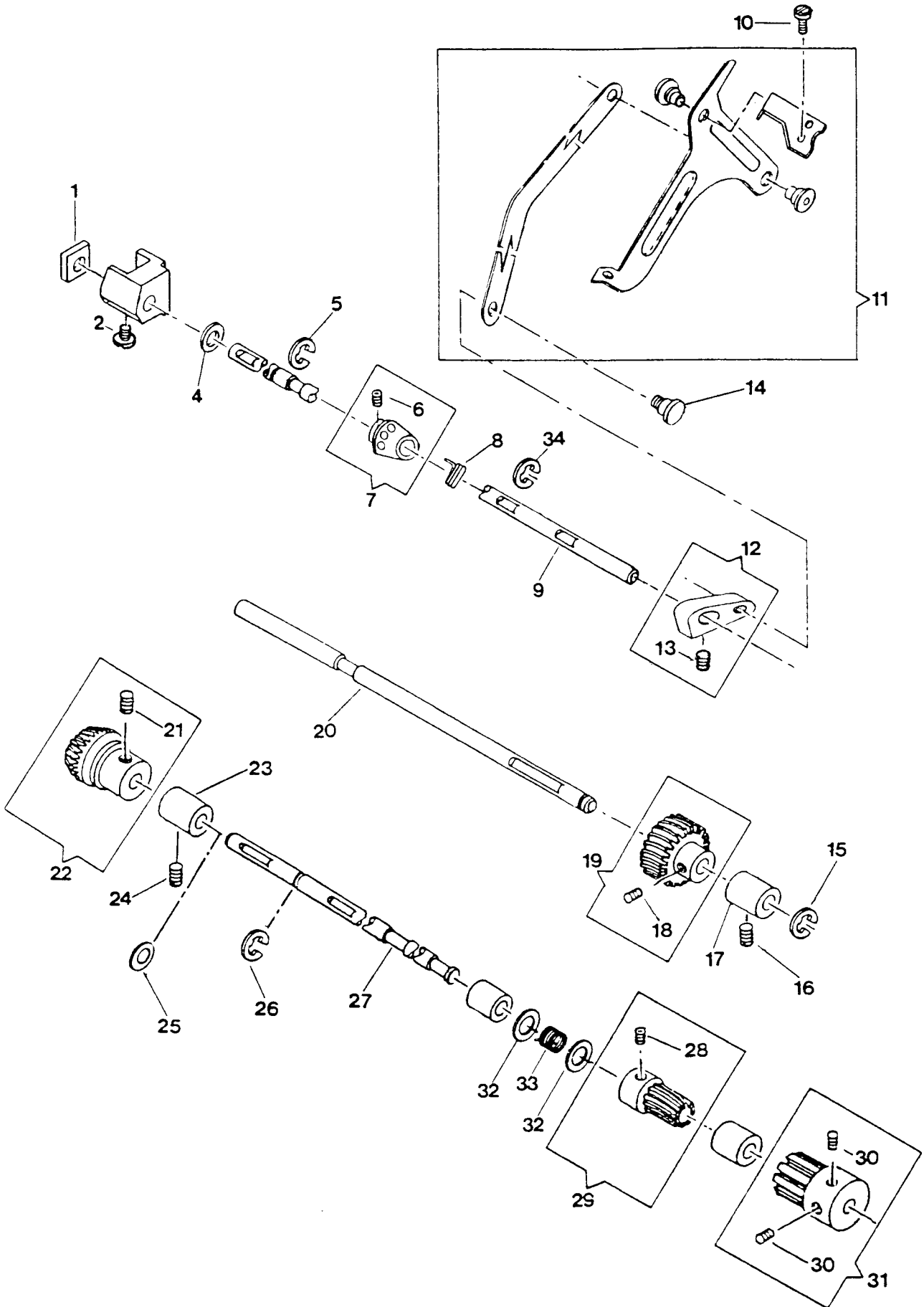
REF. NO.	PART NO.	DESCRIPTION	2	2
			9	9
			2	0
			9	C
			0	1
			C	3
1	544103	Feed Dog Screw (2)	X	X
2	445823	Feed Bar Complete	X	X
3	544102	Feed Dog Holder Compensating Link Screw Stud	X	X
4	312284	Feed Dog Holder Compensating Link Retaining Spring	X	X
6	408272	Feed Bar Pivot Hinge Stud	X	X
7	174216	Feed Dog Holder Compensating Link	X	X
8	408280	Feed Bar Pivot Hinge Stud Adjusting Pin (eccentric) Center (back)	X	X
9	544101	Feed Bar Pivot Hinge Stud Adjusting Pin (eccentric) Center (back) Set Screw	X	X
10	544099	Feed Bar Pivot Hinge Stud Lock Screw	X	X
11	511038	Feed Bar Pivot Hinge Stud Adjusting Pin (eccentric)	X	X
12	511233	Feed Bar Pivot Hinge Stud Adjusting Pin (eccentric) Center (front)	X	X
13	549358-451	Feed Bar Pivot Hinge Stud Adjusting Pin (eccentric) Center (front) Set Screw	X	X
14	445802	Feed Dog	X	X
15	408275	Feed Dog Holder	X	X
16	511052	Feed Dog Holder Stud	X	X
17	511213	Feed Dog Holder Stud Retaining Ring	X	X
18	445822	Feed Bar Assembly	X	X
19	544100	Feed Dog Holder Stud Screw	X	X
20	511210	Feed Dog Holder Washer	X	X
21	549308	Feed Bar Connection & Feed Lifting Fork Connection Hinge Stud (eccentric) Set Screw	X	X
22	408270	Feed Bar	X	X
23	511211	Feed Bar Pivot Hinge Stud Spring Washer	X	X
24	511413	Feed Bar Pivot Hinge Stud Retaining Ring	X	X
25	511213	Feed Bar Connection & Feed Lifting Fork Connection Hinge Stud (eccentric) Retaining Ring	X	X
26	507722	Feed Bar Connection & Feed Lifting Fork Connection Hinge Stud (eccentric) Spring Washer	X	X
27	511044	Feed Bar Connection & Feed Lifting Fork Connection Hinge Stud (eccentric)	X	X
28	319561	Feed Bar Connection Ball Bearing Retaining Ring	X	X
29	408278	Feed Regulator Slide Block Drive Connection	X	X
30	549293	Feed Lifting Cam & Feed Eccentric Set Screw	X	X
31	408563	Feed Lifting Cam & Feed Eccentric	X	X
32	174277	Feed Lifting Cam & Feed Eccentric Retaining Ring	X	X
33	511213	Feed Regulator Slide Block Stud Retaining Ring	X	X
34	514590-451	Feed Lifting Fork Connection Hinge Stud (eccentric) Set Screw	X	X
35	503325	Feed Lifting Fork	X	X
36	511213	Feed Lifting Fork Hinge Stud Retaining Ring	X	X
37	511016	Feed Lifting Fork Connection	X	X
38	511056	Feed Lifting Fork Connection Hinge Stud (eccentric)	X	X
39	319561	Feed Lifting Fork Connection Hinge Stud (eccentric) Retaining Ring	X	X
40	408277	Feed Lifting Fork and Feed Lifting Fork Connection	X	X
41	511057	Feed Lifting Fork Hinge Stud	X	X
42	549358	Feed Lifting Fork Hinge Stud Set Screw	X	X

From the library of: Diamond Needle Corp

# ALPHA FEED



# ALPHA FEED



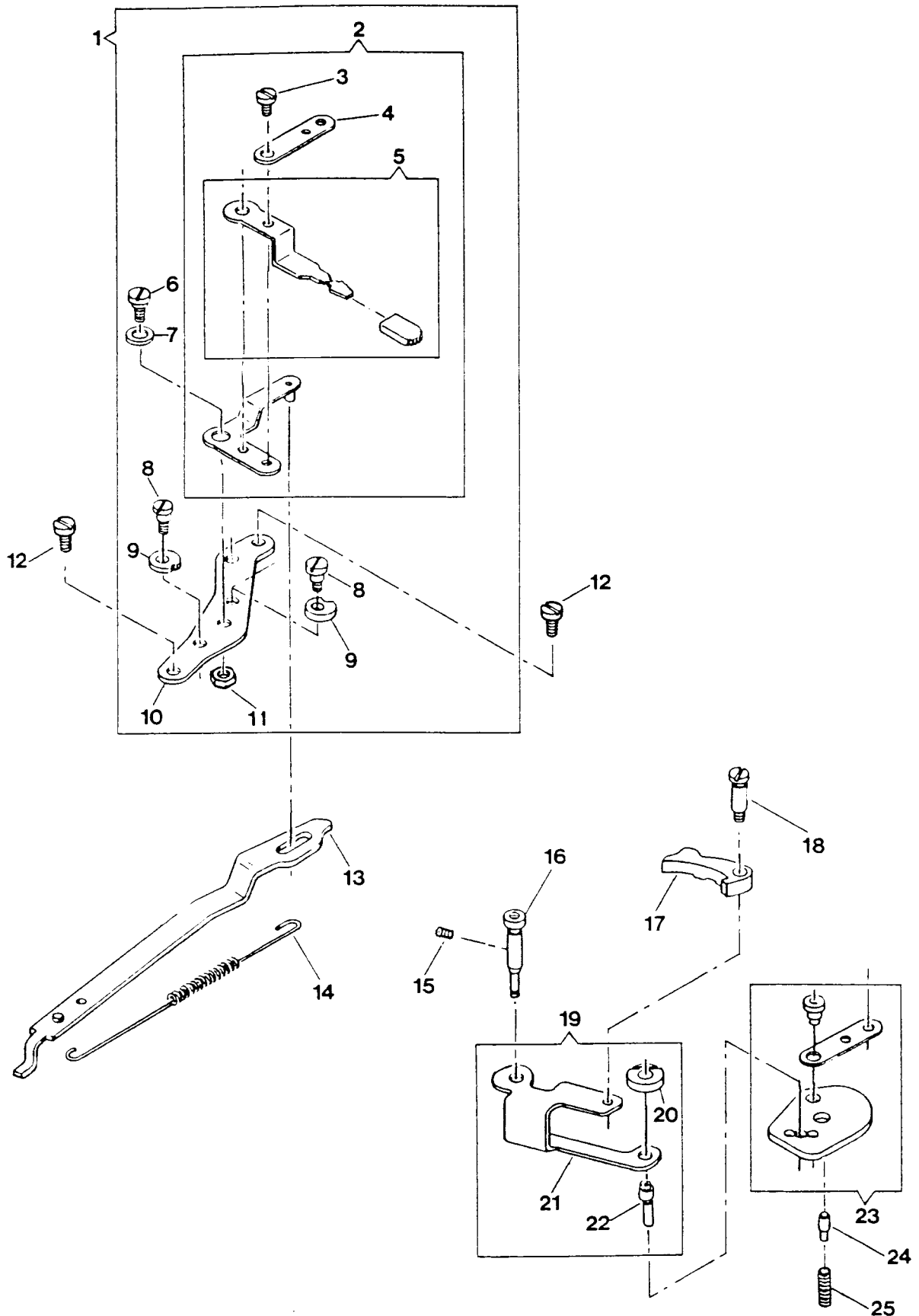
ALPHA FEED

REF. NO.	PART NO.	DESCRIPTION					
						2	2
						9	9
						2	0
						0	0
						9	C
						0	C
						1	2
						C	3
1	511030	Feed Regulator Slide Block				X	X
2	500391	Feed Regulator Set Screw				X	X
4	409294	Feed Regulator Shaft Thrust Washer				X	X
5	445878	Feed Regulator Shaft Retaining Ring				X	X
6	544104	Feed Regulator Shaft Tension Spring Adjusting Collar Set				X	X
		Screw					
7	408285	Feed Regulator Shaft Tension Spring Adjusting Collar				X	X
8	181906	Feed Regulator Shaft Tension Spring				X	X
9	445723	Feed Regulator Shaft				X	X
10	354552-451	Feed Regulator Control Arm Mounting Bracket Screw				X	X
11	445728	Feed Regulator Control Arm				X	X
12	445727	Feed Regulator Shaft Crank				X	X
13	354085-451	Feed Regulator Shaft Crank Set Screw				X	X
14	354073-451	Feed Regulator Control Arm Connecting Link Hinge Screw				X	X
15	511213	Feed Drive Shaft Retaining Ring				X	X
16	549358	Feed Drive Shaft Bushing Screw				X	X
17	383011	Feed Drive Shaft Bushing				X	X
18	141338-869	Feed Drive Shaft Gear (plastic) Set Screw				X	X
19	174491	Feed Drive Shaft Gear (plastic)				X	X
20	181598	Feed Drive Shaft				X	X
21	544207-002	Rotating Hook Drive Shaft Spirol Gear Set Screw				X	X
22	408910	Rotating Hook Drive Shaft Spirol Gear (plastic)				X	X
23	383011	Rotating Hook Drive Shaft Bushing (left)				X	X
24	549358	Rotating Hook Drive Shaft Bushing (left) Set Screw				X	X
25	181957	Rotating Hook Drive Shaft Retainer Washer				X	X
26	511213	Rotating Hook Drive Shaft Retaining Ring				X	X
27	408265	Rotating Hook Drive Shaft				X	X
28	141772-869	Feed Drive Shaft Driving Gear (helical, plastic) Set Screw				X	X
29	174488	Feed Drive Shaft Driving Gear (helical, plastic)				X	X
30	544098	Rotating Hook Drive Shaft Belt Pulley Set Screw				X	X
31	408264	Rotating Hook Drive Shaft Belt Pulley				X	X
32	511384	Rotating Hook Drive Compression Spring Washer (2)					X
33	422521	Rotating Hook Drive Shaft Compression Spring					X
34	444921	Feed Regulator Spring Retaining Ring				X	X

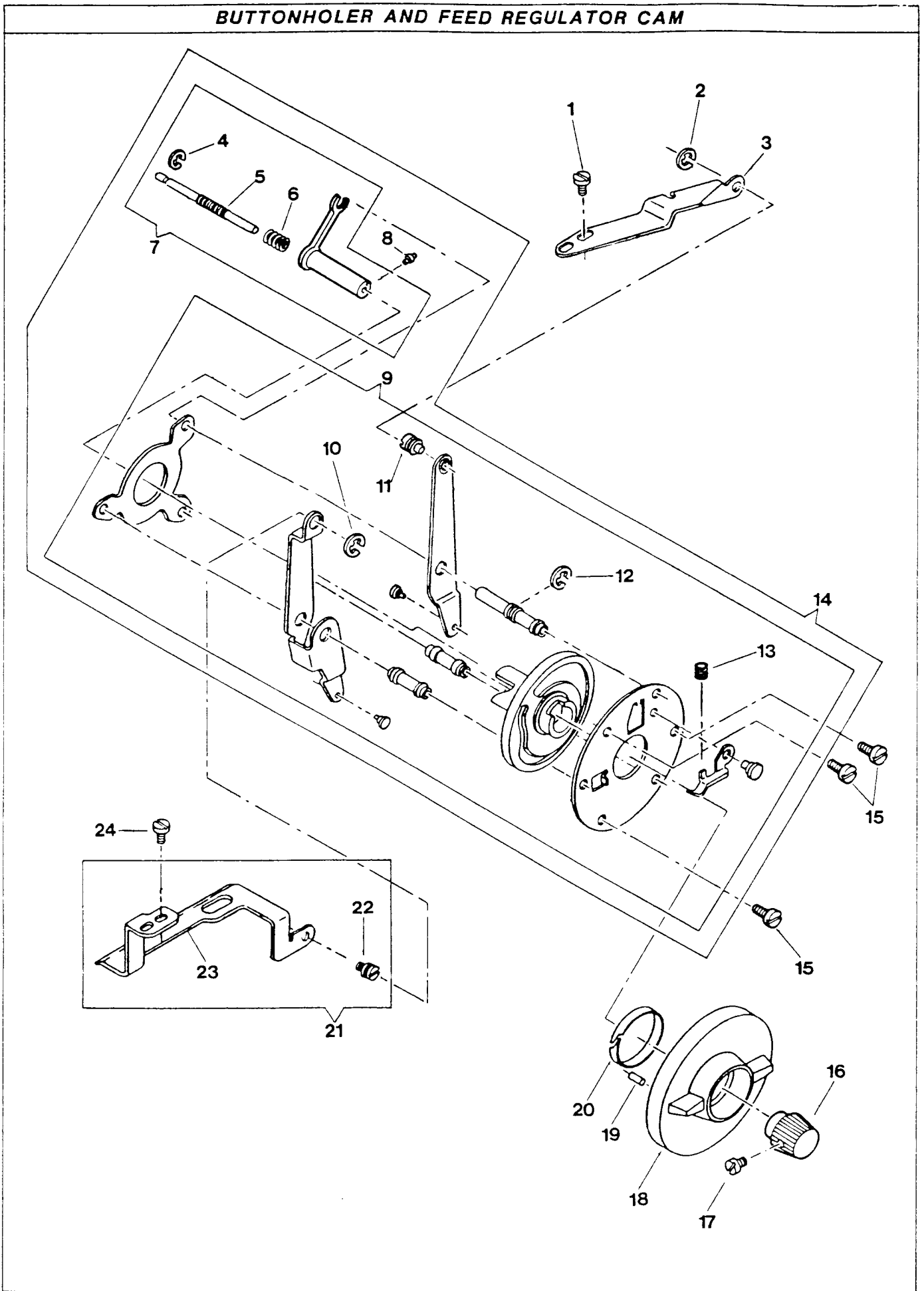
From the library of: Diamond Needle Corp



# BIGHT AMPLITUDE AND NEEDLE POSITION



# BUTTONHOLER AND FEED REGULATOR CAM



From the library of: Diamond Needle Corp





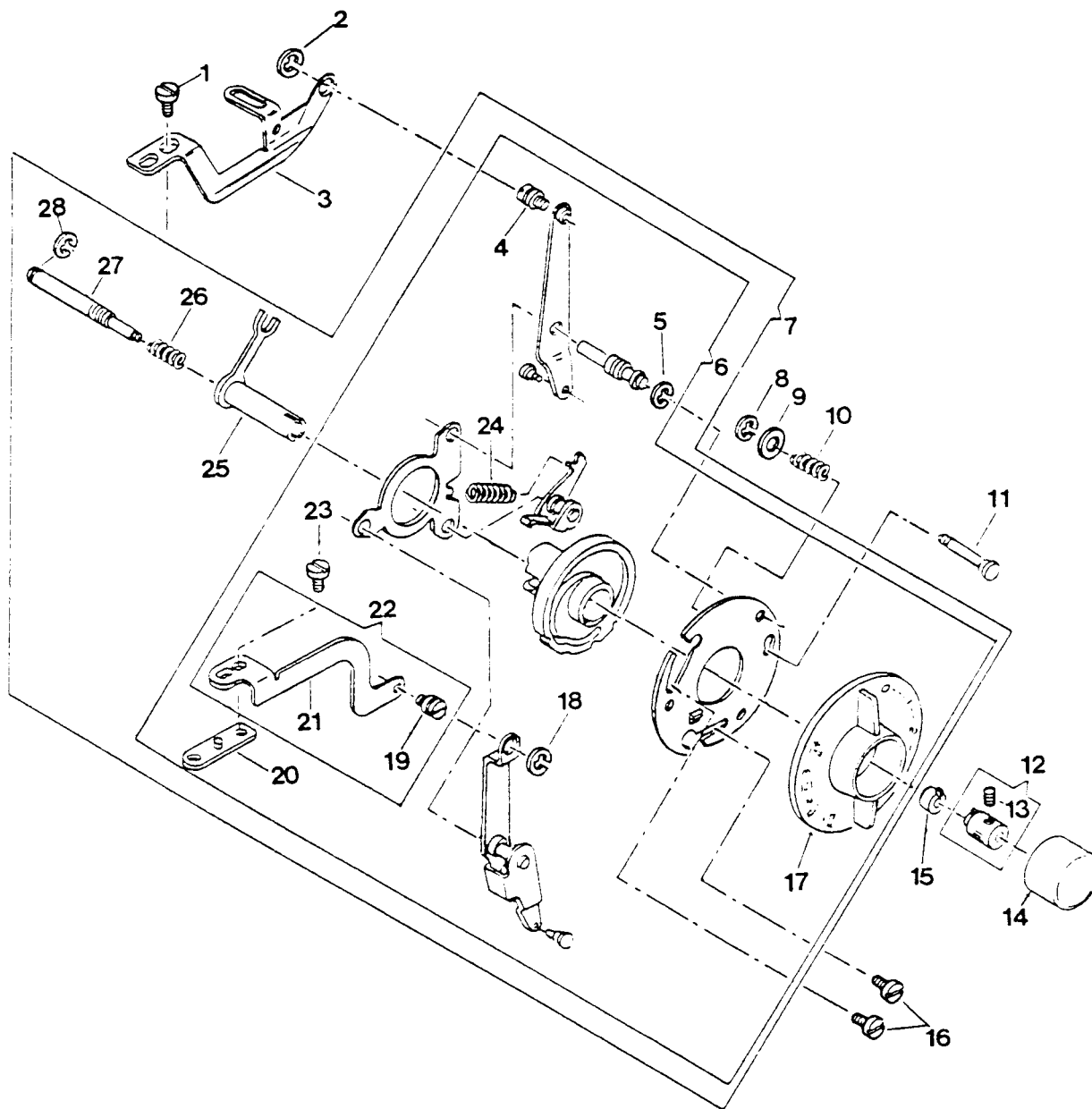


BUTTONHOLER & FEED REGULATOR CAM

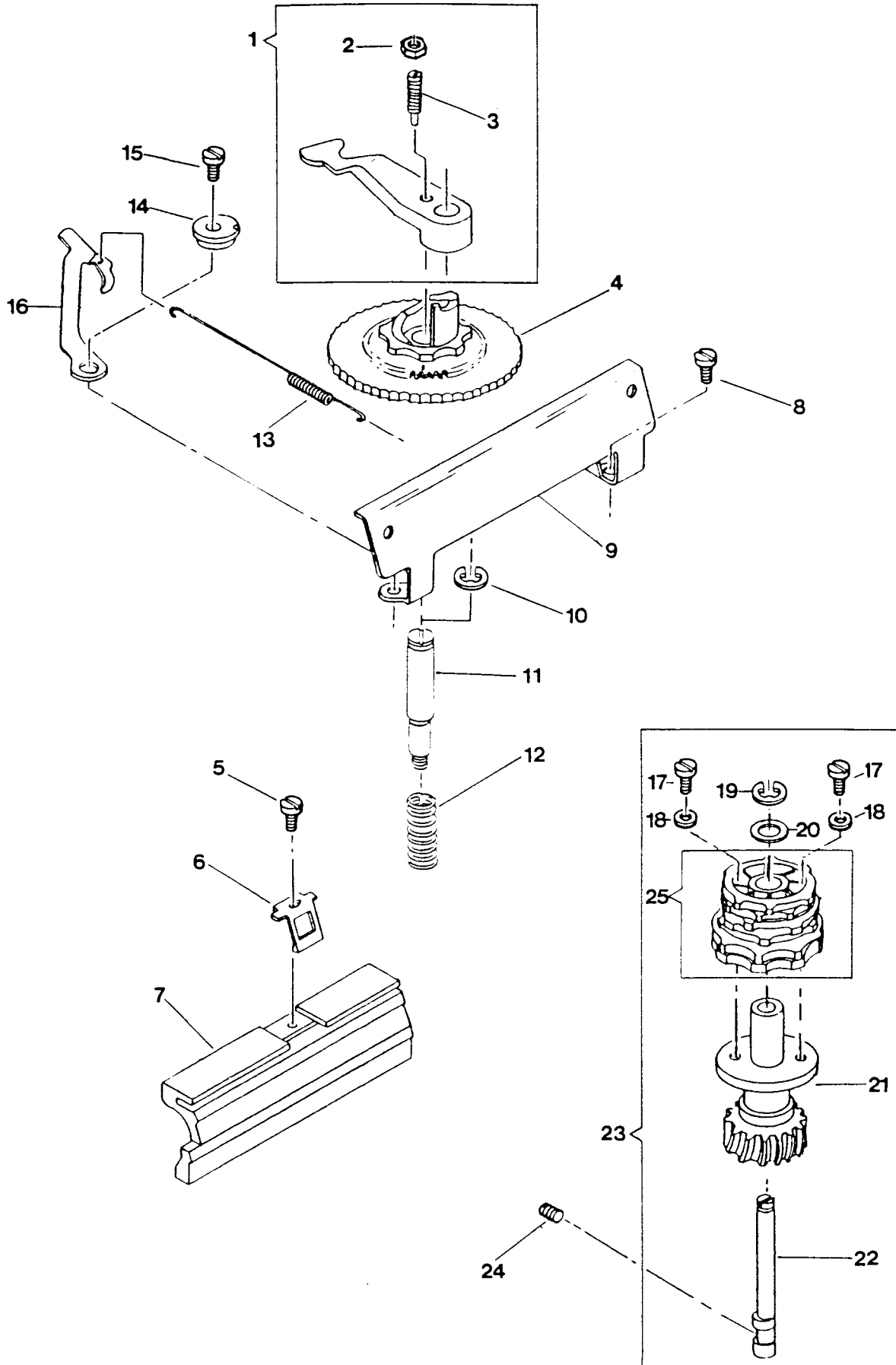
REF. NO.	PART NO.	DESCRIPTION	2	2
1	141913-451	Buttonholer Bight Control Cam Follower Lever Link (left & right) Screw	X	X X
2	445486	Buttonholer Needle Position Cam Follower Lever Link (right) Retaining Ring	X	X X
3	445712	Buttonholer Needle Position Cam Follower Lever Link (right)	X	X X
4	354665-451	Buttonholer Needle Position Cam Follower Lever Link (right) Hinge Screw	X	X X
5	44472	Buttonholer Needle Position Cam Follower Lever Retaining Ring	X	X X
6	446167-451	Buttonholer & Feed Regulator Cam	X	
	446167-453	Buttonholer & Feed Regulator Cam		X X
7	446168-451	Buttonholer & Feed Regulator Cam Complete	X	
	446168-453	Buttonholer & Feed Regulator Cam Complete		X X
8	446008	Buttonholer & Feed Regulator Mechanism Mounting Plate Stud Retaining Ring	X	X X
	14494	Buttonholer & Feed Regulator Mechanism Mounting Plate Stud Retaining Ring (alternate to No. 446008)	X	X X
9	445938	Buttonholer & Feed Regulator Mechanism Mounting Plate Stud Spring Washer	X	X X
10	445937	Buttonholer & Feed Regulator Mechanism Mounting Plate Stud Spring	X	X X
11	445936	Buttonholer & Feed Regulator Mechanism Mounting Plate Stud	X	X X
12	446165	Feed Regulator Positioning Pin Knob Adaptor	X	X X
13	354865-451	Feed Regulator Positioning Pin Knob Adaptor Set Screw	X	X X
14	446203-452	Feed Regulator Positioning Pin Knob	X	
	446203-453	Feed Regulator Positioning Pin Knob		X X
15	445945	Reverse Feed Cam Follower	X	X X
16	354858-451	Buttonholer & Feed Regulator Mechanism Mounting Plate Screw	X	X X
17	446163-451	Buttonholer & Feed Regulator Control Dial	X	
	446163-453	Buttonholer & Feed Regulator Control Dial		X X
18	445486	Buttonholer Bight Control Cam Follower Lever Retaining Ring	X	X X
19	354665-451	Buttonholer Bight Control Cam Follower Lever Link (right) Hinge Screw	X	X X
20	44556	Buttonholer Bight Control Cam Follower Lever Link (left)	X	X X
21	445710	Buttonholer Bight Control Cam Follower Lever Link (right)	X	X X
22	445711	Buttonholer Bight Control Cam Follower Lever Link (right) Complete	X	X X
23	141913-451	Buttonholer Needle Position Cam Follower Lever Link (left & right) Screw	X	X X
24	44547	Buttonholer & Feed Regulator Control Dial Pawl Spring	X	X X
25	445941	Feed Regulator Positioning Pin Carrier with Molded Plastic Cam Follower	X	X X
	446259	Feed Regulator Positioning Pin Carrier with Molded Plastic Cam Follower (alternate to No. 445941)	X	X X
26	44612	Feed Regulator Positioning Pin Friction Spring	X	X X
27	446166	Feed Regulator Positioning Pin	X	X X
28	445721	Feed Regulator Positioning Pin Friction Spring Retaining Ring	X	X X

From the library of: Diamond Needle Corp

# BUTTONHOLER AND FEED REGULATOR CAM



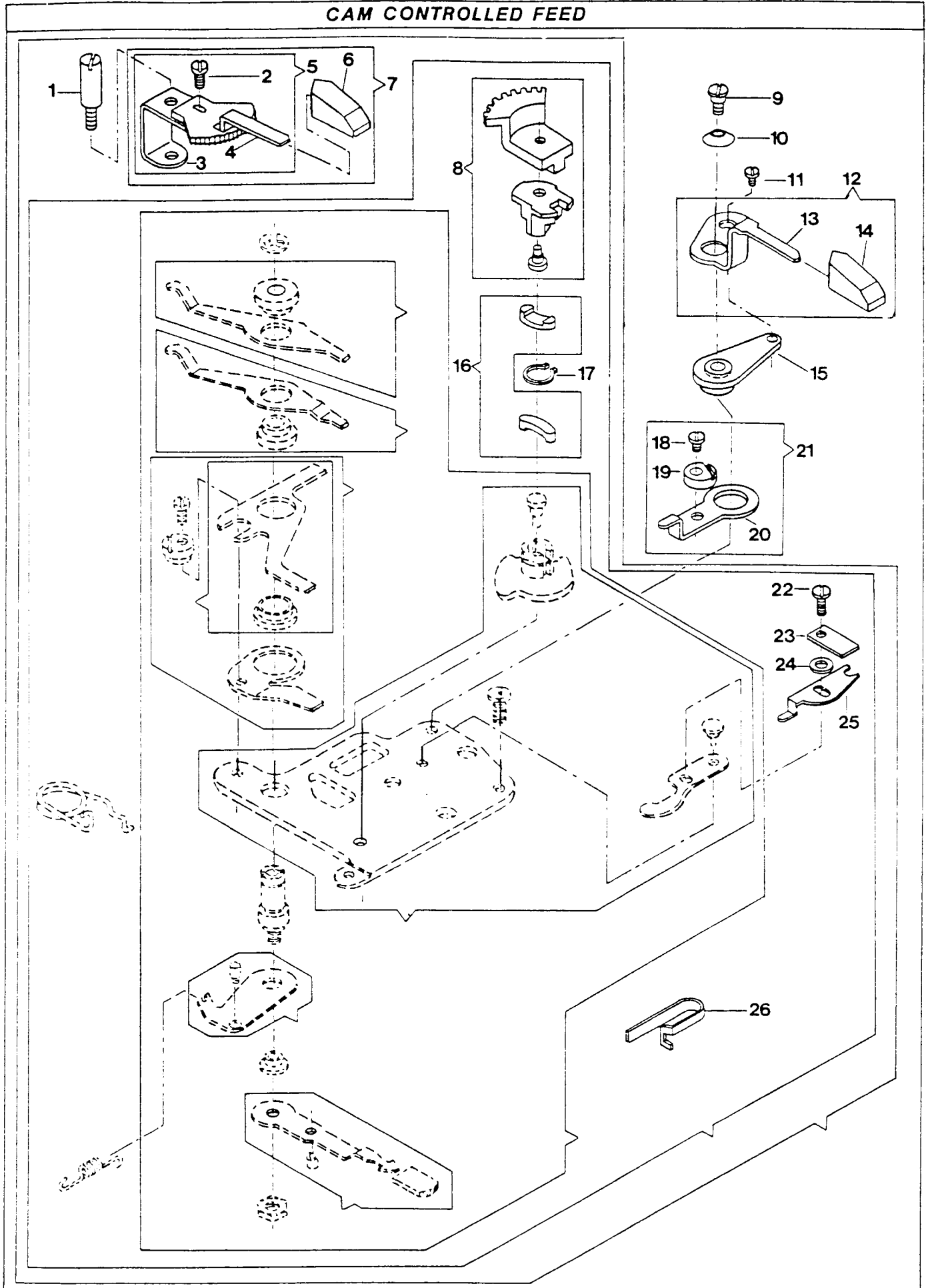
PATTERN SELECTOR AND DISC STACK



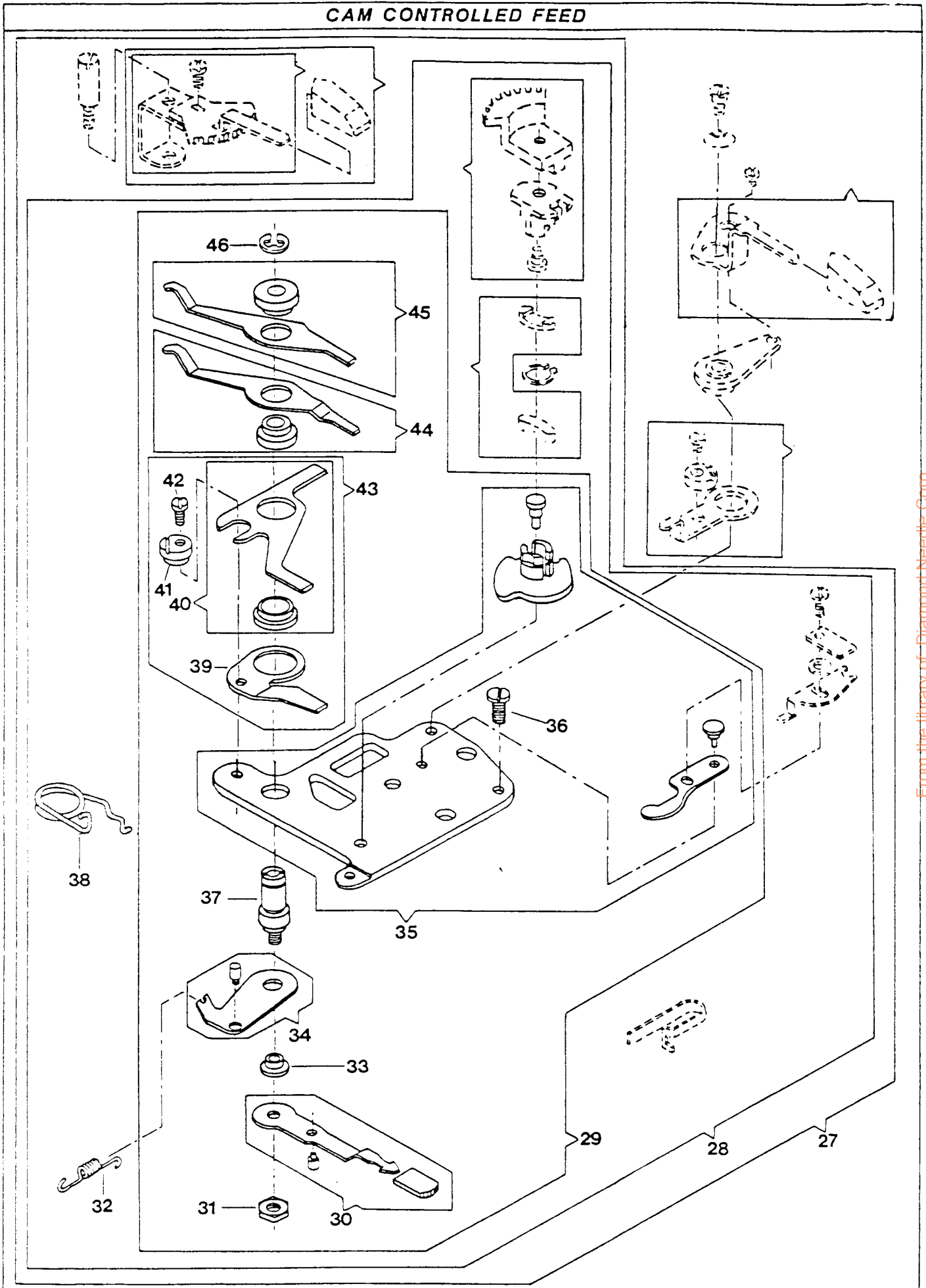




# CAM CONTROLLED FEED



CAM CONTROLLED FEED



From the library of: Diamond Needle Corp



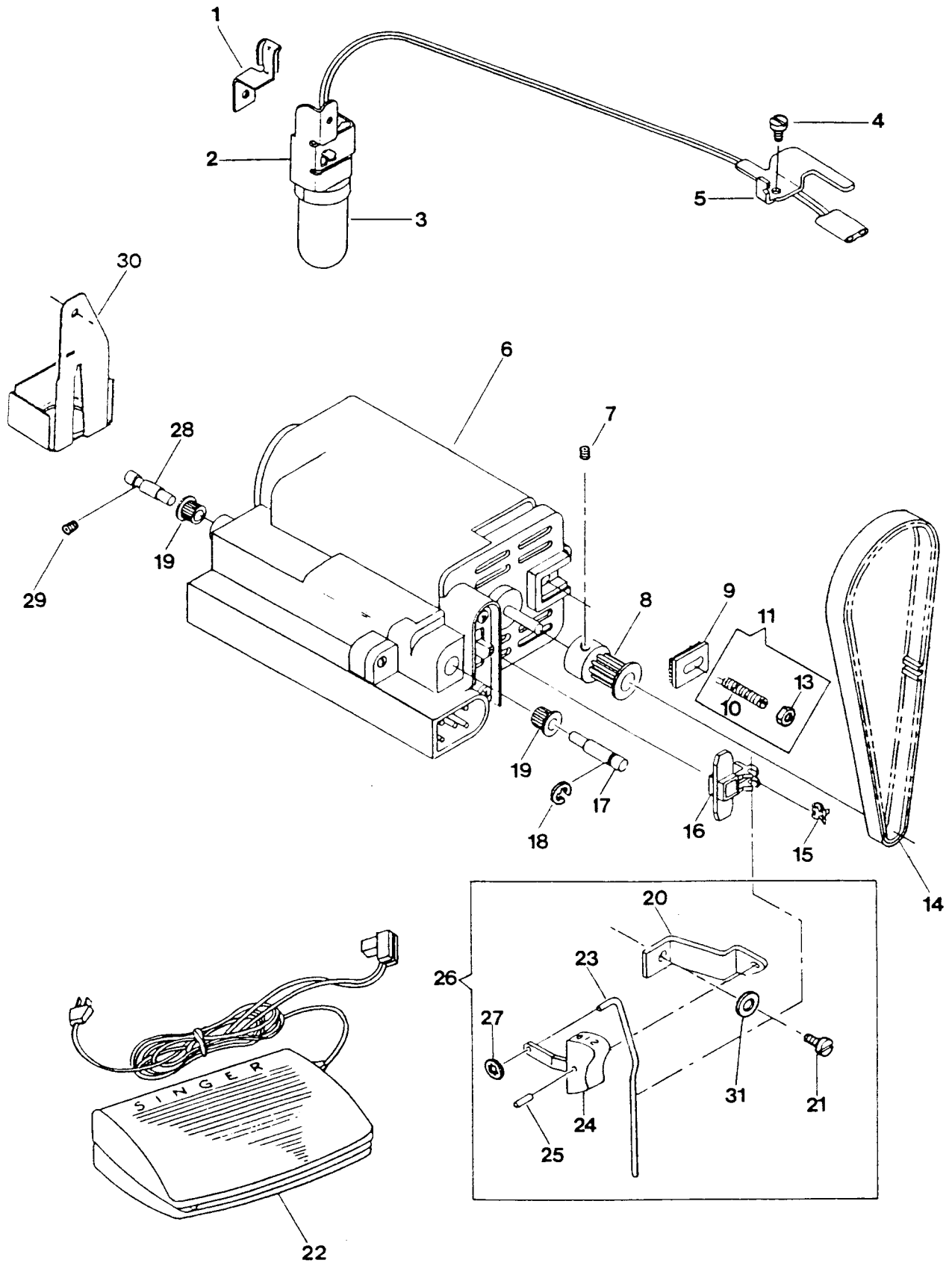




ELECTRICAL PARTS

REF. NO.	PART NO.	DESCRIPTION	290C3	290C1	290C2	290C3	AUSTRALIA
1	445499	Light Lead Clip	X	X	X	X	X
2	988006-001	Light Complete	X				
	988006-002	Light Complete		X			
	988006-003	Light Complete				X	
	988006-004	Light Complete					X
3	988076-002	Lamp (115V)	X	X			
	988076-004	Lamp (220V)				X	
	194120-017	Lamp (240V)					X
4	354633-451	Light Lead Shield & Needle Bar Driving Arm Tension Spring Mounting Plate Screw	X	X	X	X	X
5	445780	Light Lead Shield & Needle Bar Driving Arm Tension Spring Mounting Plate	X	X	X	X	X
6	988062-001	Motor Complete - RAC20-8 (110V)	X				
	988368-005	Motor Complete - RAC21-8 (115V)		X			
	988368-006	Motor Complete - RAC21-11 (220V)				X	
	988368-007	Motor Complete - RAC21-12 (240V)					X
7	514509	Pulley Set Screw	X	X	X	X	X
8	604431-002	Pulley	X	X	X	X	X
9	604228-001	Motor Adjusting Block	X	X	X	X	X
10	544122	Motor Adjusting Stud (Eccentric)	X	X	X	X	X
11	408460	Motor Adjusting Stud (Eccentric) Complete	X	X	X	X	X
13	541157	Motor Adjusting Stud (Eccentric) Nut	X	X	X	X	X
14	603975	Motor Drive Belt	X	X	X	X	X
15	382330	Light Switch Actuating Bracket Spring Clip	X	X	X	X	X
16	445872	Light Switch Actuating Bracket (Plastic)	X				X
	446328	Light Switch Actuating Bracket (Plastic)		X	X		X
17	542654	Motor Hinge Pin (Right)	X	X	X	X	X
18	511213	Motor Hinge Pin (Right) Retaining Ring	X	X	X	X	X
19	604229-001	Bushing (2)	X	X	X	X	X
20	445730	Light Switch Actuating Rocker Button Bracket	X	X	X	X	X
21	354654-451	Light Switch Actuating Rocker Button Bracket Screw	X	X	X	X	X
22	604759-001	Controller Complete (110V) CR-304	X				
	988275-007	Controller Complete (115V) CR-513 (UL)		X			
	988275-009	Controller Complete (115V) CR-513 (CSA)		X			
	988275-021	Controller Complete (220V) CR-513				X	
	988275-024	Controller Complete (240V) CR-513 (UK)				X	
	988275-026	Controller Complete (240V) CR-513					X
23	445731	Light Switch Actuating Rod	X	X	X	X	X
24	445757-451	Light Switch Actuating Rocker Button	X				
	445757-452	Light Switch Actuating Rocker Button		X	X	X	
25	445899	Light Switch Actuating Rocker Button Pin	X	X	X	X	X
26	445732-451	Light Switch Actuating Rocker Button Complete	X				
	445732-452	Light Switch Actuating Rocker Button Complete		X	X	X	
27	4444767	Light Switch Actuating Rod Washer	X	X	X	X	X
28	542653	Motor Hinge Pin (Left)	X	X	X	X	X
29	544104	Motor Hinge Pin (Left) Set Screw	X	X	X	X	X
30	605087	Motor Bracket	X	X	X	X	X
31	446262	Light Switch Actuating Rocker Button Bracket Screw Washer	X	X	X	X	X

ELECTRICAL EQUIPMENT



From the library of: Diamond Needle Corp